

# Steam Plate Heat Exchanger HESF-1000

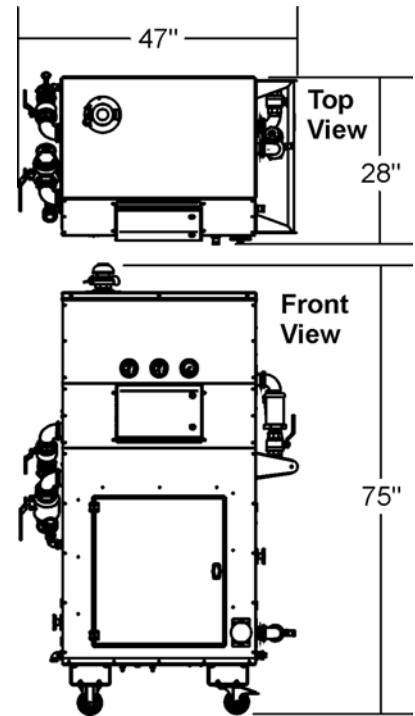
**PATENT  
PENDING**  
DRYAIR 2000 SYSTEM

- Steam-to-fluid plate heat exchanger
- Utilizing steam as the heat source



### Features:

- The system transfers heat from "on-site" steam to a circuit of heat-transfer-fluid that enables the use of any of the DRYAIR accessories for heat distribution.
- Automatic temperature control allows the user to set the desired supply-fluid temperature. Temperature is maintained by modulating the flow of steam through the exchanger.
- One unit will provide enough heating capacity to heat up to 50,000 square feet! (*dependent on the steam source capacity*)
- Using an existing steam source could prove to be the most versatile and economical approach to delivering temporary heat on a construction site / building renovation.



### Specifications

Steam requirements.....	For use with low pressure steam
.....	15 psi or less
.....	Steam supply and condensate return pipe connections to unit are 1½" FNPT
.....	Condensate trap is an integral part of the unit
.....	Must be connected to the site supply by a licensed steam-fitter/pipe-fitter
.....	Steam pressure reducing valves not included
Fluid distribution	
2nd circuit .....	Heat transfer fluid circuit
.....	2" hose and Kamlock connections
Reservoir .....	On-board "open-vented" glycol reservoir
.....	external connection for an optional external extended reservoir
.....	A selector valve is used to select either the on-board reservoir or the external reservoir
Pump .....	2HP, 28SFLA, 13FLA
.....	50 - 75 US GPM

Electrical	
System requirements..	230V, 1 Ph, 60Hz, 30A
Control circuitry.....	24V
Heat exchanger	
Type .....	304 copper-brazed stainless steel plates
.....	20 plates
	<b>Hot side .....</b>
Fluid .....	Water/Steam.....50.0% Prop.glycol
Mass flow rate .....	1036 b/h .....
Fluid condensed/vaporized ...	1036 b/h .....
Inlet temperature .....	248.4°F .....
Outlet temperature .....	229.4°F .....
Saturated temperature .....	248.4°F
Pressure drop .....	1.67 psi.....
Operating pressure - in/out .....	29.00/27.33 psia
Heat exchange .....	**1000 kBtu/h
	**with 1,036 lb/h of steam and 50 US GPM of fluid flow

Optional  
Extended Reservoir package.....Cart type

\* an extended reservoir is required if it becomes necessary to place receiving heat exchangers higher than the central unit.



Steam plate heat exchanger 060606

DRYAIR INC. 606 Highway Drive, St.Brieux, SK., Canada, S0K 3V0  
Tel: (306) 275-4848, 1-888-750-1700, Fax: (306) 275-4664  
E-mail: dryair@dryair.ca Web: www.dryair.ca

DRYAIR INC. 1095 N. Main Street, Bowling Green, Ohio, USA, 43402  
Tel: (419) 354-8546, 1-866-354-8546, Fax: (419) 354-9706  
E-mail: dryair@dryair.us Web: www.dryair.us



WWW.ICSGROUP.CA

#### HEAD OFFICE

250081 Mountain View Trail  
Calgary, Alberta  
T3Z 3S3

Direct: (403) 247-4440  
Fax: (403) 247-9993  
Toll Free: 1-(866) 247-4460

#### EDMONTON

3904 - 82 Avenue  
Leduc, Alberta  
T9E 8M4

Phone: (780) 980-1220  
Fax: (780) 980-1230

#### FORT MCMURRAY

8124 Manning Avenue  
Fort McMurray, Alberta  
T9H 1V7

Phone: (780) 791-4484  
Fax: (780) 791-4405

#### WINNIPEG

300 IXL Crescent  
St. Clements Industrial Park  
Lockport, Manitoba  
R1A 2A8

Phone: (204) 757-4844  
Fax: (204) 757-7052